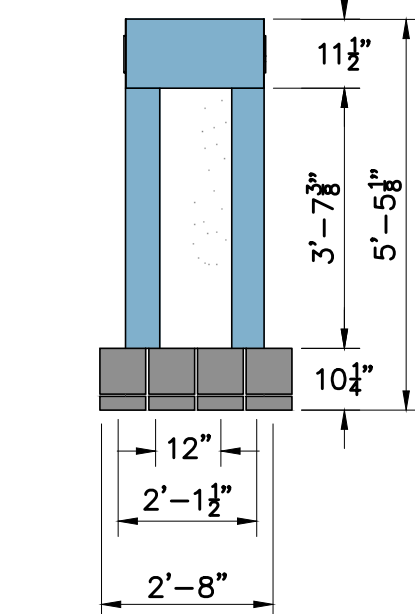
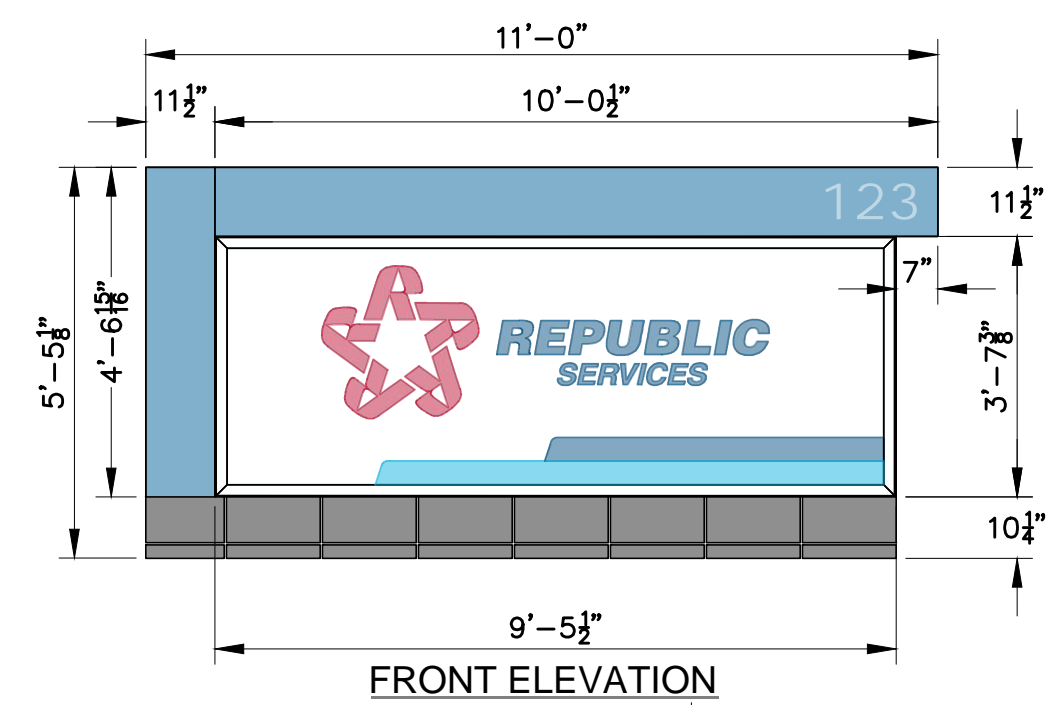
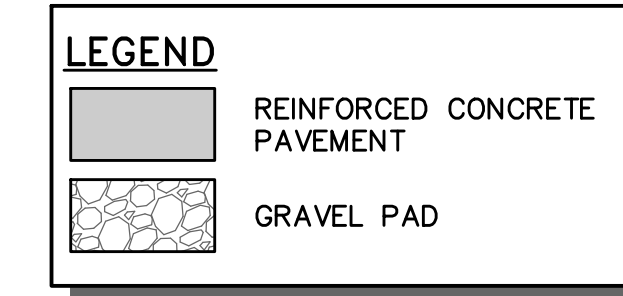
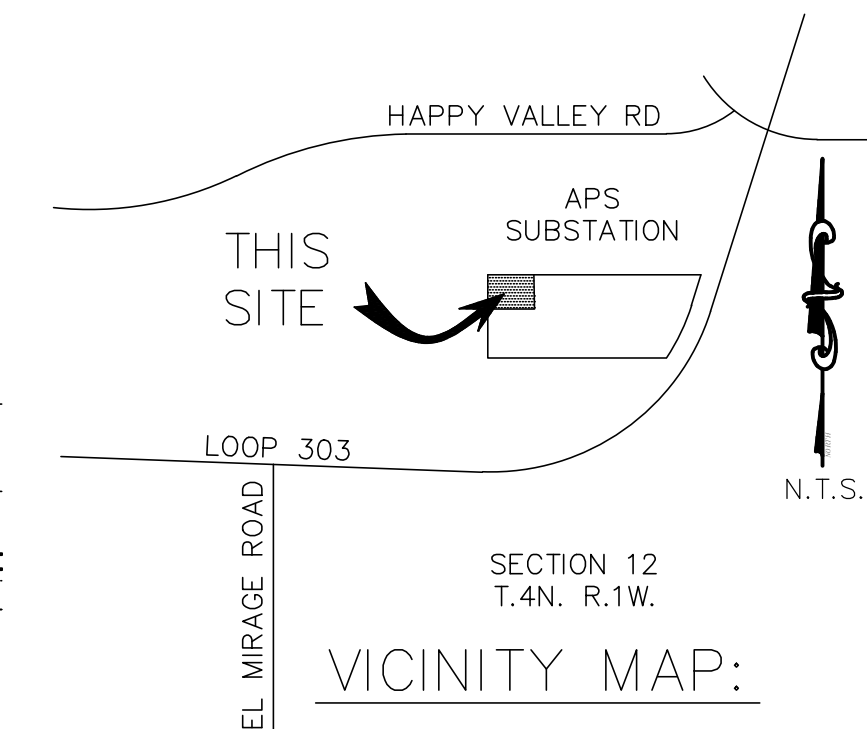
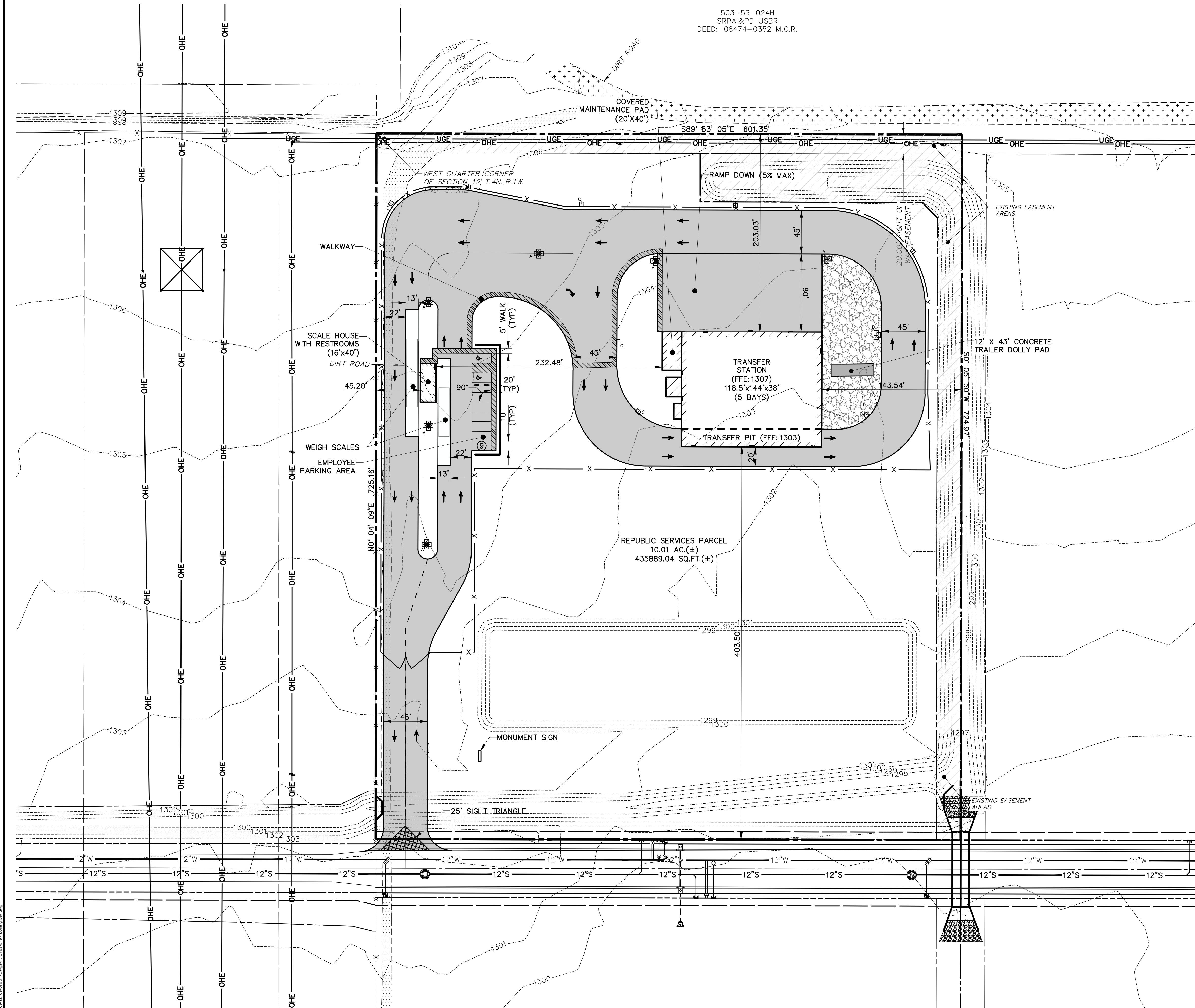
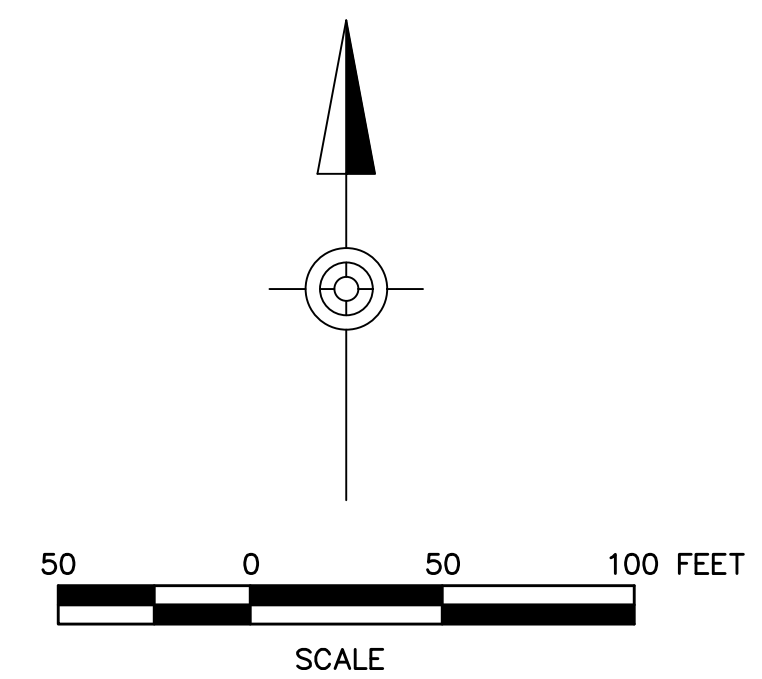


Exhibit 7
Site Plan



- NOTES:**
- SIGN TO BE PROVIDED/DESIGNED BY EVERBRITE LLC, HEADQUARTERED IN GREENFIELD, WISCONSIN.
 - REFER TO MANUFACTURER'S SPECIFICATIONS FOR MORE INFORMATION.

MONUMENT SIGN
SCALE: NOT TO SCALE



NO.	DATE	COMMENTS

REPUBLIC SERVICES
WEST WING TRANSFER FACILITY
MARICOPA COUNTY, ARIZONA 85373

GENERAL DEVELOPMENT PLAN

DRAWN BY: SAH APPROVED BY: CMS

PROJECT NUMBER: 12189-079

DATE PRINTED: 02/AUG/2021

SHEET NUMBER: C2

ZONING SUBMISSION